

Fit-Frame Butterfly Valves

VFP-VFPX



VFP-TYPE BUTTERFLY VALVES ENSURE OPTIMUM “MASS FLOW”, NO CONTAMINATION AND EASY HANDLING.

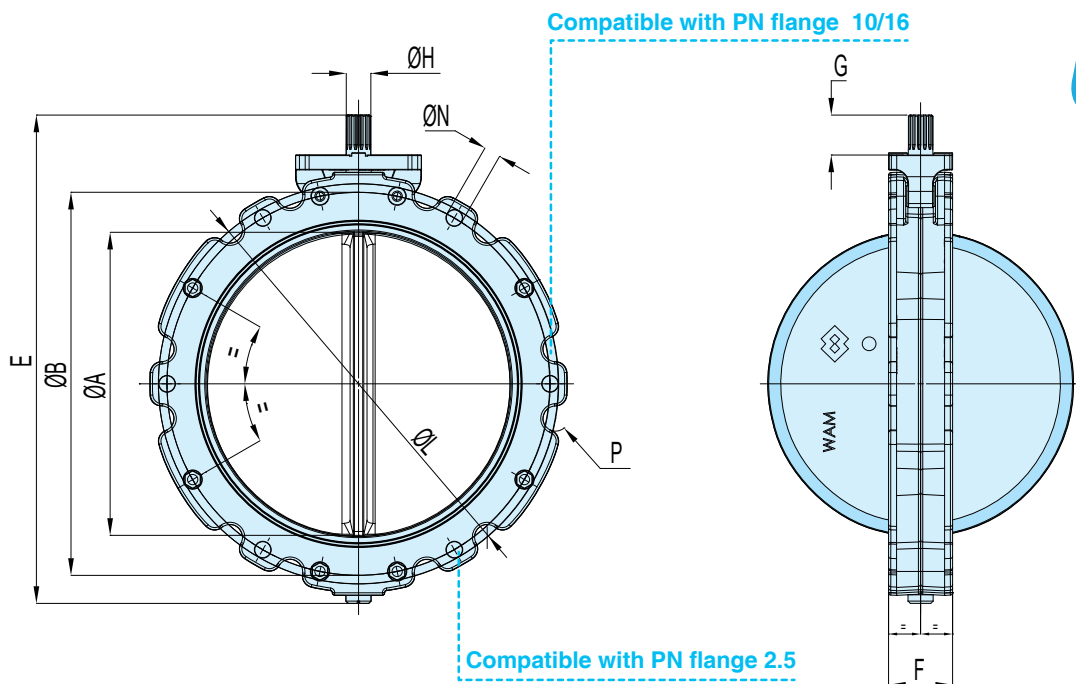
VFP-VFPX Butterfly Valves consist of two high-pressure die-cast semi-bodies manufactured from aluminum alloy, a swivel disc in SINT® engineering polymer composite, stainless steel or cast iron, and a pre-stressed elastomer seal. Thanks to its design material residue between valve and the connected feeding device is drastically reduced.

VFP-VFPX Butterfly Valves can be fitted beneath hoppers, bins, silos, screw or other type conveyors, or to intercept pneumatic conveying ducts. Due to their special design and to the engineering materials used, they represent a particularly economical yet most efficient solution.

Technical Features

- Identical top and bottom flange;
- Pressure-proof up to 0.6 bar (8.7 PSI);
- High-pressure die-cast semi-bodies manufactured from aluminium alloy;
- Disc in cast iron, SINT® or POM engineering polymer, stainless steel;
- Seals for standard or food-grade application;
- Compatible with PN flanges (2.5/6 and 10/16 external grooves);
- OR groove on flange;
- Reduced height;
- Small number of components;
- Interchangeable discs;
- Highly abrasion-resistant;
- ATEX and FDA-certified;
- Ex-stock delivery.

Overall Dimensions



TYPE V2FP/V2FPX	ØA	ØB	E	F	G	ØH DIN 5482	ØN		P		ØL	kg
							DRILLING		EXTERNAL GROOVES			
							Ø	Qty.	Qty.			
100	110	170	255	56	35	22X19	14	4	4	4	180	3.0
125	136	200	285	56	35	22X19	14	4	4	4	210	4.0
150	164	225	313	56	35	22X19	14	4	4	4	240	4.5
175	190	250	336	56	35	22X19	14	4	4	4	270	5.0
200	213	280	371	56	35	22X19	14	4	4	4	295	6.0
250	267	335	427	56	35	22X19	14	6	6	12	350	8.0
300	318	395	487	56	35	22X19	14	6	6	12	400	10
350*	377	445	556	68	50	28X25	14	6	6	8	460	16
400*	426	495	607	68	50	28X25	14	8	8	12	515	19

Compatible with ANSI B16.5.150.

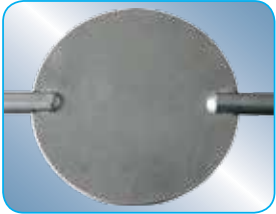
V1FP currently not in production

*Not compatible with PN and ANSI

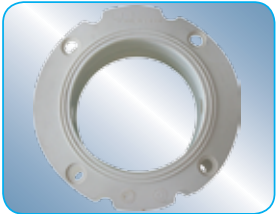
Benefits

- ✓ Quick and easy maintenance;
- ✓ Minimum contamination due to "FIT-FRAME";
- ✓ Increased flow rates;
- ✓ High pressure-proof performance due to new OR groove;
- ✓ Lightweight (easy to handle);
- ✓ Excellent price-performance ratio.

1 Swivel discs

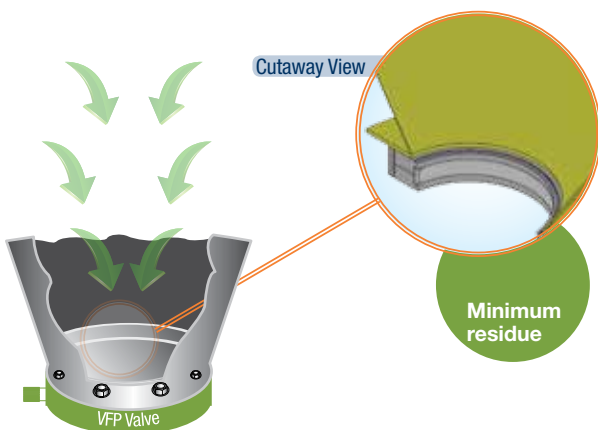


2 Seals

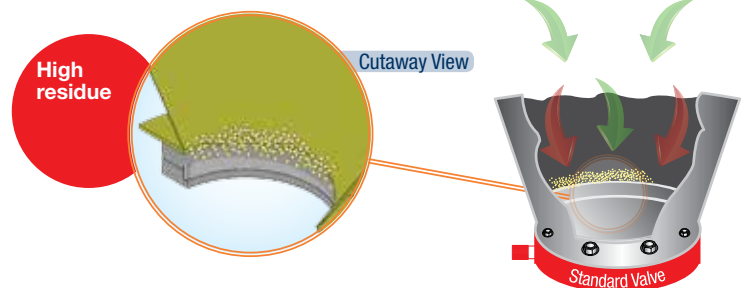


Comparison between VFP Valve and Standard Valve

VFP VALVE



STANDARD VALVE



MANUAL LEVER COUPLING



Valve Size	Lever Code
100 - 300	CM4
350 - 500	CM3B

PNEUMATIC ACTUATOR COUPLING



Valve Size	Actuator Code
100 - 200	CP063 (CP101)
250 - 300	CP101 (CP126*)
350 - 500	CP126 (CP126T)

* Adapter bush necessary.
Actuator choice depends on application and type of material.

Accessories:

Solenoid Valve	
Actuator Code	Solenoid Valve Code
CP063 - CP101	V5V80 - V5VV80
CP126 - CP126T	V5V40 - V5VV40
COIL 24/48/110/220V AC-DC	

Limit Switch Code
MIC23
LSM0 + LSM9

GEAR MOTOR ACTUATOR COUPLING



Valve Size	Actuator Code
100 - 200	AE040A11 (AE051A11)
250 - 300	AE051A11 (AE060A11- AE070A1D)
350 - 500	AE060A21 (AE070A2D)

Actuator choice depends on application and type of material.

Accessories:

Limit Switch Code
MIC23
LSM0 + LSM9

* Signalling system obligatory.

